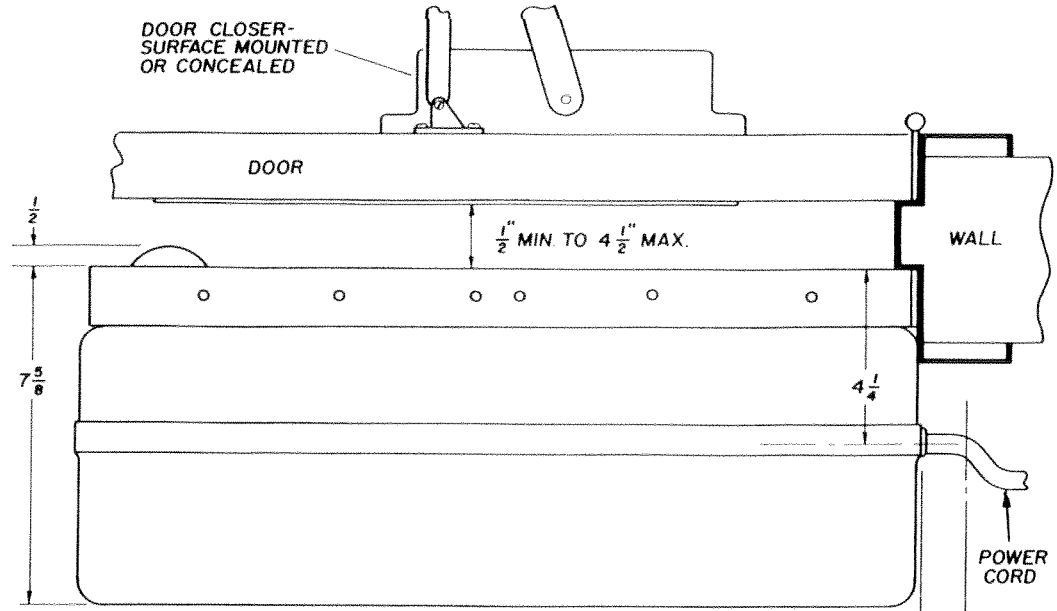


ROLLER SCUFF PLATE

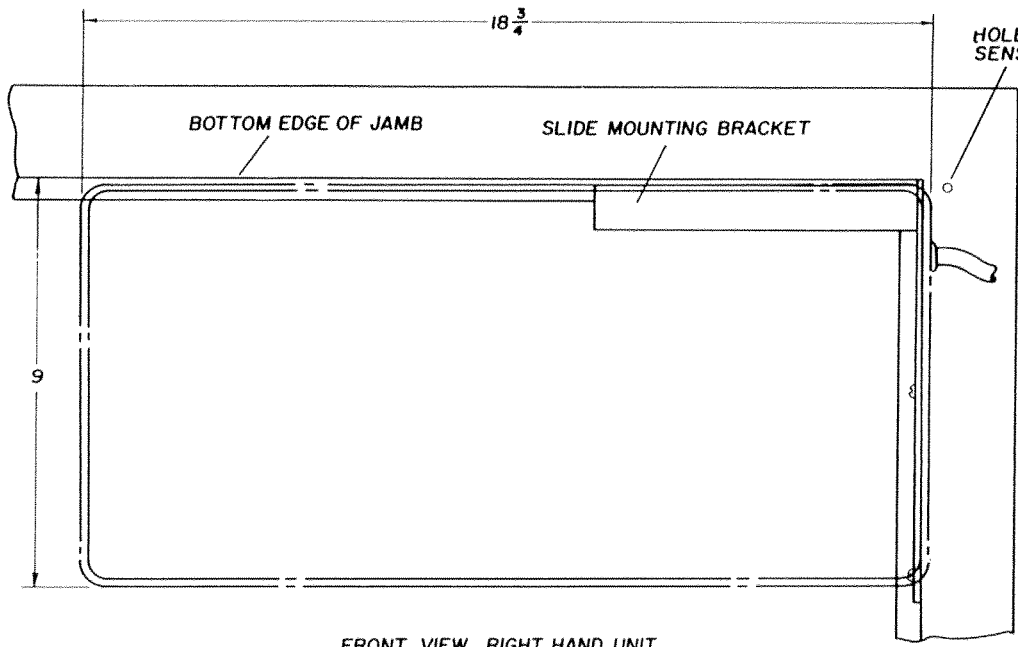
MODEL 4300 INVERTED (VR)

POWER REQUIREMENTS - 115 VAC, 3 AMP, SINGLE PHASE
GROUND RECEPTACLE, 9 FT. POWER CORD SUPPLIED.
SENSORS - TOUCH SWITCHES, WALL SWITCHES OR
 RADIO CONTROL AS SPECIFIED.
 BLANK LATCH STRIKE PLATE SUPPLIED.

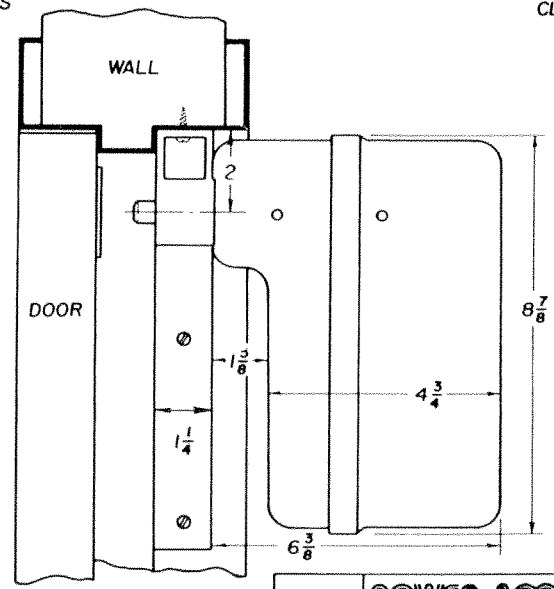


TOP VIEW RIGHT HAND UNIT

1" MIN. CLEARANCE



FRONT VIEW RIGHT HAND UNIT



SIDE VIEW

POWER ACCESS CORPORATION	
MODEL 4300 INVERTED	
ARCHITECTURAL REQUIREMENTS	
3/91	4261